



**BLAST CABINETS**

**CAB-series**



**SPARE PARTS FOR BLAST CABINETS**  
**CAB-series**

## Filter cartridges for ECO/CAB



### SPARE PARTS for blast cabinets ECO/CAB

Filters for cleaning of air pollution and dust in blast cabinets ECO/CAB.

All Contracor blast cabinets ECO/CAB types are equipped with cartridge type air filters. Filters ensure a permitted concentration of dust particles of max. 5 mg/m<sup>3</sup>. Filters are made of cellulose fibre with a polyester coating.

Order code	Model	Description
22070106		Cartridge filter 2,7 m <sup>2</sup> , polyester, for dust collector DC-370
22070103		Cartridge filter 7,5 m <sup>2</sup> , polyester, for dust collector DC-550/DC-1100
22070104		Cartridge filter 11,0 m <sup>2</sup> , polyester, for dust collector DC-750/DC-1500

## Turntables with cart and tracks



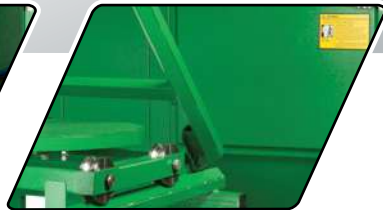
### Turntable

Heavy or awkward parts are more easily moved inside a blast cabinet with a turntable. The turntable provides safe and convenient blasting access and can increase productivity significantly. Standard load capacity: 350 kg.

Loading position



Working position



Order code	Model	Description
10115701	TTM-500-110	Turntable Ø 500mm, with cart and tracks, for CAB-110
10115702	TTM-500-135	Turntable Ø 500mm, with cart and tracks, for CAB-135
10115712	TTM-800-135	Turntable Ø 800mm, with cart and tracks, for CAB-135

## Stationary turntables

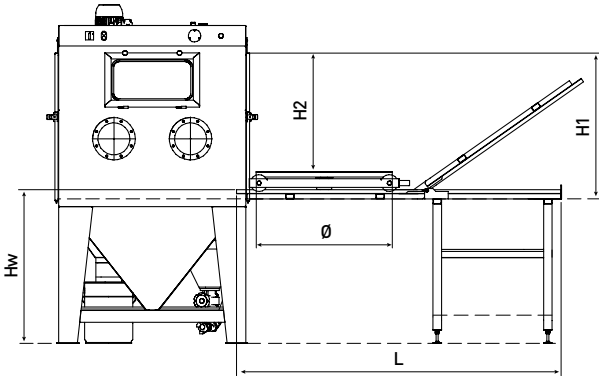
### Turntable



The stationary turntable provides safe and convenient blasting access and can increase productivity significantly.

Order code	Model	Description
10115700	TTS-500	Turntable Ø 500mm, stationary
10115710	TTS-800	Turntable Ø 800mm, stationary

## Turntables with cart and tracks overall dimensions



Model	Ø (mm)	Hw (mm)	H1 (mm)	H2 (mm)	L (mm)
TTM-500-110	500	890 - 934	840	680	1910
TTM-500-135	500	890 - 934	1000	840	2205
TTM-800-135	800	890 - 934	1000	840	2205

## RGS / RGA blast cabinet gloves



### Blast cabinet gloves

Contracor blast gloves are designed to withstand the harsh environment within a blast cabinet. All Contracor blast gloves are very comfortable and provide excellent durability and functionality.

#### RGS blast cabinet gloves

Full-length and seamless RGS-type gloves are manufactured from natural rubber with a cotton lining.

It aid in eliminating of static shock as well as providing superior flexibility and feel.

The RGS-type gloves fit larger floor model blast cabinets with a 200 mm glove hole

#### RGA blast cabinet gloves

Ambidextrous and seamless RGA-type gloves are manufactured from natural rubber with a cotton lining.

It aid in eliminating of static shock as well as providing superior flexibility and feel. Rough gloves surface allows good grip and prevents slips and falls. Ambidextrous gloves can be replaced singly when worn.

Order code	Model	Description
10115605	RGS-800	Rubber blast cabinet gloves, length 800 mm, port size 200 mm, seamless, smooth, cotton lining, pair (left/right)
10115606	RGS-600	Rubber blast cabinet gloves, length 600 mm, port size 200 mm, seamless, smooth, cotton lining, pair (left/right)
10115610	RGA-800	Rubber blast cabinet gloves, length 800 mm, port size 200 mm, seamless, rough, cotton lining, ambidextrous, pair (left=right)
10115611	RGA-600	Rubber blast cabinet gloves, length 600 mm, port size 200 mm, seamless, rough, cotton lining, ambidextrous, pair (left=right)

## Rubber curtains

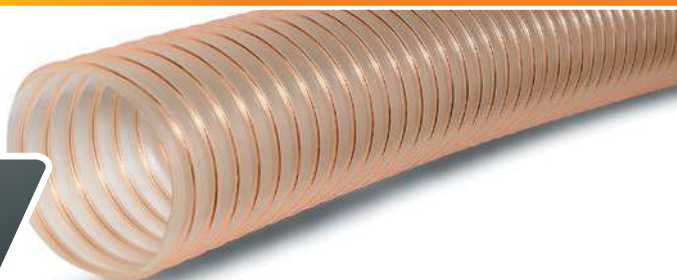


### SPARE PARTS for blast cabinets ECO/CAB

To extend the life of the cabinet enclosure, the interior walls and doors should be lined with rubber curtains. Curtains protect the shell of the blast cabinet from either the direct blast stream and abrasive ricochet. Curtains plates are made of special wear resistant rubber and can be easily installed and replaced when worn.

Order code	Model	Description
10117519		Rubber curtain set, black, for ECO-80
10117520		Rubber curtain set, black, for ECO-100
10117521		Rubber curtain set, black, for ECO-120
10117522		Rubber curtain set, black, for ECO-140
10115810		Rubber curtain set, black, for CAB-110
10115811		Rubber curtain set, black, for CAB-135

## Suction hose



### SPARE PARTS for blast cabinets ECO/CAB

Order code	Model	Description
41101002		Suction hose, polyurethane Ø102, 1m.
41101003		Suction hose, polyurethane Ø150, 1m.

## Replacement glass for ECO/CAB



### SPARE PARTS for blast cabinets ECO/CAB

#### Disposable window, for ECO/CAB

All Contracor blast cabinets ECO/CAB types are equipped with an internal disposable window made of regular plate glass.

Glass windows are static free and do not attract dust particles like plastic windows. Disposable window can be cut to size from a simple glass plate and used as replacement.

#### Safety glass window, for ECO/CAB

All Contracor blast cabinets ECO/CAB types are equipped with an outer safety glass window. Use of outer safety glass window is mandated by European CE regulations and ensures safe cabinet operation.

Order code	Model	Description
22030001		Safety glass window, for ECO/CAB
22030002		Disposable window, for ECO/CAB



## GX – suction blast manual gun

### Spare parts for suction blast cabinets ECO/CAB-series



The GX gun directs a high-speed mixture of air and abrasive to quickly remove corrosion, coatings, heat treatment residue or other substances.

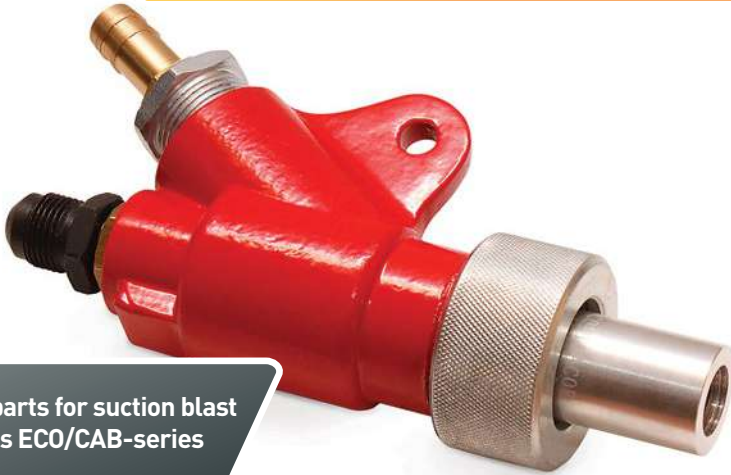
The GX blast gun provides comfortable grip for operator and allows precise control of blast pattern. The gun keeps the air jet and blast nozzle precisely aligned to maximize blast efficiency and minimize gun-body wear. A knurled nut at gun outlet allows operator to change nozzles without tools. Works with most recyclable blast media – glass bead, ceramics, aluminum oxide, and some sizes of steel grit and shot.

### Advantages

- Precisely shaped mixing chamber eliminates slugging for a permanent media flow
- Standard tungsten carbide nozzles last longer than ceramic nozzles in most applications  
GX gun accepts assorted air jet and nozzle sizes to take advantage of the available air supply
- Comfortable pistol-grip design reduces operator fatigue and increases productivity during prolonged blasting

Order code	Model	Description
10115300	GX	Suction blast gun, without nozzle

## GA-suction blast automatic gun



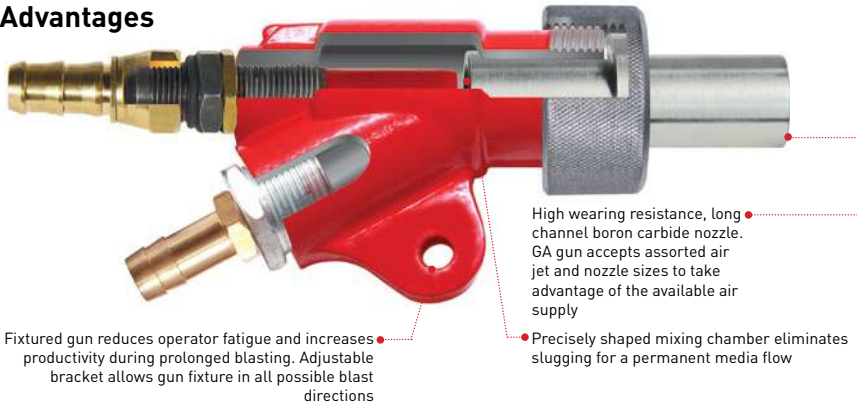
### Spare parts for suction blast cabinets ECO/CAB-series

The GA gun directs a high-speed mixture of air and abrasive to quickly remove corrosion, coatings, heat treatment residue or other substances.

The GA blast gun provides high performance blasting by using of high aggressive or heavy blast media. The gun keeps the air jet and blast nozzle precisely aligned to maximize blast efficiency and minimize gun-body wear. Gun construction allows precise control of blast pattern. A knurled nut at gun outlet allows operator to change nozzles without tools.

Works with most recyclable blast media – steel grit and shot, silicon carbide, garnet, aluminum oxide, glass bead and ceramics.

### Advantages



• Fixtured gun reduces operator fatigue and increases productivity during prolonged blasting. Adjustable bracket allows gun fixture in all possible blast directions

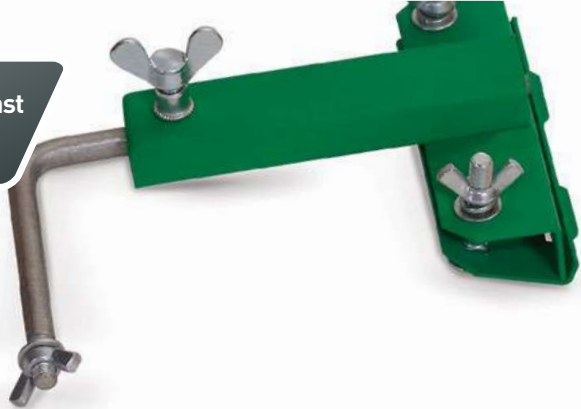
• High wearing resistance, long channel boron carbide nozzle. GA gun accepts assorted air jet and nozzle sizes to take advantage of the available air supply

• Precisely shaped mixing chamber eliminates slugging for a permanent media flow

Order code	Model	Description
10115301	GA	Suction blast gun, without nozzle

## Adjustable gun bracket for suction blast gun

### Spare parts for suction blast cabinets ECO/CAB-series



The adjustable bracket holds the blast gun at a specific position while you lift and manipulate the part under it. It helps reduce window frosting by keeping the blast pointed away from the glass. Adjustable gun bracket usually used in conjunction with a turntable.

Order code	Model	Description
10115805		Adjustable gun bracket $L_{min/max}$ 140/250 mm for suction blast gun
10115806		Adjustable gun bracket $L_{min/max}$ 365/635 mm for suction blast gun

## Nozzles type GXT for GX blast gun

### Spare parts for suction blast cabinets ECO/CAB-series



Abrasive blast nozzles made from high-quality tungsten carbide (TC).  
Service life - up to 400 h.  
For using with lightweight and fine grain size blast media.

Order code	Model	Description
10115502	GXT-6	Tungsten carbide nozzle for GX blast gun, $\varnothing$ 6 mm
10115508	GXT-8	Tungsten carbide nozzle for GX blast gun, $\varnothing$ 8 mm
10115509	GXT-10	Tungsten carbide nozzle for GX blast gun, $\varnothing$ 10 mm

## Nozzles type GXB for GX blast gun

### Spare parts for suction blast cabinets ECO/CAB-series

Abrasive blast nozzles made from high-quality boron carbide (B4C).  
Service life - up to 1000 h.  
For use with aggressive blast media with fine and medium grain size.



Order code	Model	Description
10115510	GXB-6	Boron carbide nozzle for GX blast gun, Ø 6 mm
10115511	GXB-8	Boron carbide nozzle for GX blast gun, Ø 8 mm
10115512	GXB-10	Boron carbide nozzle for GX blast gun, Ø 10 mm

## Nozzles type GAB for GA blast gun

### Spare parts for suction blast cabinets ECO/CAB-series

Abrasive blast nozzles made from high-quality boron carbide (B4C). Service life - up to 1000 h.  
Cover: Aluminum.  
For using with aggressive blast media with fine and middle grain size



Order code	Model	Description
10115504	GAB-6	Boron carbide nozzle for GA blast gun, Ø 6 mm
10115507	GAB-8	Boron carbide nozzle for GA blast gun, Ø 8 mm
10115513	GAB-10	Boron carbide nozzle for GA blast gun, Ø 10 mm

## Air jets for suction blast guns GX/GA

Spare parts for suction blast cabinets ECO/CAB-series



Order code	Model	Description
10115305		Air jet, Ø 2.4 mm, universal for suction blast guns GX/GA
10115306		Air jet, Ø 3.2 mm, universal for suction blast guns GX/GA
10115307		Air jet, Ø 4.0 mm, universal for suction blast guns GX/GA
10115308		Air jet, Ø 5.0 mm, universal for suction blast guns GX/GA

## Air jets and compressed air requirements

Compressed air requirement is dependent from air jet installed in suction blast gun. Select the best jet size and jet - nozzle composition for the application and used blast media.

Ø air jet mm	Ø blast nozzles mm	Required air volume m <sup>3</sup> /min at working pressure, bar								
		2	3	4	5	6	7	8	10	12
3,2	6,0	0,245	0,326	0,406	0,487	0,568	0,649	0,730	0,891	1,050
4,0	8,0	0,436	0,579	0,723	0,865	1,010	1,150	1,300	1,585	1,870
5,0	10,0	0,681	0,905	1,130	1,350	1,580	1,180	2,030	2,480	2,930

## Pressure blast cabinet hoses

According to DIN 53516:  
Max. 60 mm<sup>3</sup>  
Avg. 52 mm<sup>3</sup>



### Spare parts for pressure blast cabinets ECO/CAB-series

ExtraBlast high wearing resistance blast media hose is used in professional range blast cabinets. It can be used with all common blast media, is very durable and flexible.

Order code	Model	Description
10112108	ExtraBlast-13	ID 13 mm blast media hose, 1m
10112115	ExtraBlast-19	ID 19 mm blast media hose, 1m

## Nozzle holders NHP

Nozzle holders NHP-3/4 or NHP-0 accept all CONTRACOR blast nozzles with thread 50 mm or 3/4" respectively.

Material: nylon.

Thread 50 mm or 3/4" – suitable for the thread of CONTRACOR nozzles.

Equipped with a rubber washer and screws.



### Spare parts for pressure blast cabinets ECO/CAB-series

Order code	Model	Description
10112209	NHP-0	Nozzle holders for hoses 13 x 27 mm, thread 3/4"
10112200	NHP-3/4	Nozzle holders for hoses 19 x 33 mm, thread 50 mm

## Hose couplings CQP

Cabinet hose couplings CQP-3/4 and CQP-0 are made from high-impact nylon and will not crack or shatter.

Material: nylon.

Equipped with rubber washer, screws and safety clip.



### Spare parts for pressure blast cabinets ECO/CAB-series

Order code	Model	Description
10112309	CQP-0	Hose couplings for abrasive blasting hoses 13 x 27 mm
10112300	CQP-3/4	Hose couplings for abrasive blasting hoses 19 x 33 mm

## Nozzles type STC

### Spare parts for pressure blast cabinets ECO/CAB-series

Wear-resistant short Venturi blasting nozzles made of tungsten carbide (TC). Service life - up to 400 h.

Cover: Aluminum

Thread: Aluminium, 50 mm for NHP nozzle holder

Entry size: 25 mm



Order code	Model	Description
10112570	STC-5.0	Short Venturi nozzle, tungsten carbide, 5.0 mm x 80 mm
10112571	STC-6.5	Short Venturi nozzle, tungsten carbide, 6.5 mm x 80 mm
10112572	STC-8.0	Short Venturi nozzle, tungsten carbide, 8.0 mm x 80 mm
10112573	STC-9.5	Short Venturi nozzle, tungsten carbide, 9.5 mm x 80 mm
10112574	STC-11.0	Short Venturi nozzle, tungsten carbide, 11.0 mm x 80 mm
10112575	STC-12.5	Short Venturi nozzle, tungsten carbide, 12.5 mm x 80 mm

## Nozzles type MTC

### Spare parts for pressure blast cabinets ECO/CAB-series

Wear-resistant short Venturi blasting nozzles made of tungsten carbide (TC). Service life - up to 400 h.

Cover: Aluminum

Thread: Aluminium, 50 mm for NHP nozzle holder

Entry size: 25 mm.



Order code	Model	Description
10112560	MTC-5.0	Short Venturi nozzle, tungsten carbide, 5.0 mm x 80 mm
10112561	MTC-6.5	Short Venturi nozzle, tungsten carbide, 6.5 mm x 80 mm
10112562	MTC-8.0	Short Venturi nozzle, tungsten carbide, 8.0 mm x 80 mm
10112563	MTC-9.5	Short Venturi nozzle, tungsten carbide, 9.5 mm x 80 mm
10112564	MTC-11.0	Short Venturi nozzle, tungsten carbide, 11.0 mm x 80 mm
10112565	MTC-12.5	Short Venturi nozzle, tungsten carbide, 12.5 mm x 80 mm

## Nozzles type NTC

### Spare parts for pressure blast cabinets ECO/CAB-series

Wear-resistant short Venturi blasting nozzles made of tungsten carbide (TC).

Service life - up to 400 h.

Cover: Aluminum

Thread: Aluminium, 3/4" for NHP-0 nozzle holder.



Order code	Model	Description
10112550	NTC-3.5	Short Venturi nozzle, tungsten carbide, 3.5 mm x 45 mm
10112551	NTC-5.0	Short Venturi nozzle, tungsten carbide, 5.0 mm x 45 mm
10112552	NTC-6.5	Short Venturi nozzle, tungsten carbide, 6.5 mm x 45 mm
10112553	NTC-8.0	Short Venturi nozzle, tungsten carbide, 8.0 mm x 45 mm